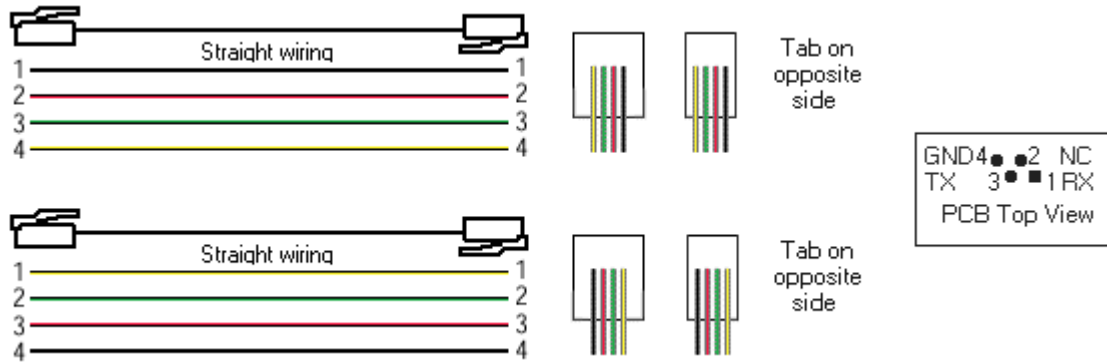


The cable from the main control port to the PC is just a standard DB9/DB9 serial cable.

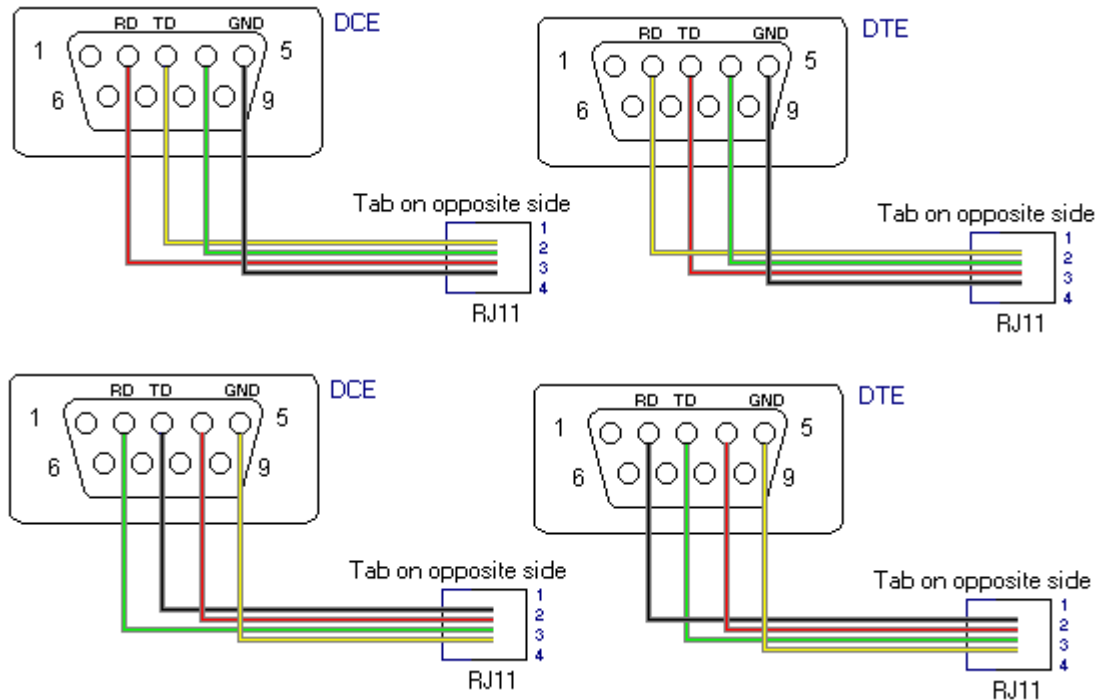
Home Automation Gateway (RJ11) to CM11A (RJ22) Pinout

The cable from the Gateway to the CM11A needs to be wired straight through. There seems to be no standardization of the wire colors. Some straight through cables are wired one way while others are reversed.



Home Automation Gateway (RJ11) to DB-9 Pinouts

RJ11/RJ12 jacks and plugs also seem to have no standardization of colors.



The DCE cables shown above work for the Ocelot and all DCE devices that use a DB-9 connectors. A DTE cable or a null adapter is required to connect one of the Gateway's secondary ports to a PC serial port for Irman emulation.